

USER AND INSTALLATION MANUAL

MAG:CFX®

ENGLISH

/SPARXTAR.®



SPARK FX

PART01213

rev 01-02

DISCLAIMER

⚠ WARNING

Read this manual carefully before installing and/or using this product. Failure to read the manual and to follow the printed instructions may lead to personal injury and/or damage to the product.

© 2019 MAGICFX®
All rights reserved.

Nothing from this publication may be copied, reproduced and/or published by means of printing, photocopying or by any other means, without the prior written approval of MAGIC FX.

MAGIC FX reserves the right to modify specifications stated in this manual.

TRADEMARKS

Any brand names mentioned in this manual are registered trademarks of their respective owners.

LIABILITY

MAGIC FX accepts no liability for claims from third parties arising from unauthorised use, use other than that stated in this manual, and use other than in accordance with the General Conditions registered at the Chamber of Commerce.

We further refer to the General Conditions. These are available on request, free of charge.

Although considerable care has been taken to ensure a correct and comprehensive description of all relevant components, the manual may nonetheless contain errors and inaccuracies.

Should you detect any errors or inaccuracies in the manual, we would be grateful if you would inform us. This helps us to further improve our documentation.

TABLE OF CONTENTS

Disclaimer	2	
Trademarks	2	
Liability	2	
Foreword	4	
Language	4	
Revision table	4	
1	Meet the MAGICFX® SPARXTAR!	5
1.1	Main parts	5
1.2	SPARXTAR Powder	5
1.3	Technical data	6
1.4	Product identification	7
1.5	Accessories	7
1.6	DMX control	7
1.7	Display panel	8
1.8	RDM capability	10
2	Spark safely!	11
2.1	General safety rules	11
2.2	Rigging	11
2.3	Noise level	11
2.4	Safety symbols	12
2.5	Safety warnings	12
3	Let's spark!	14
3.1	Install the machine	14
3.2	Mount on a truss	15
3.3	(Re)fill the hopper	18
3.4	Connect power and setup DMX	20
3.5	Setup multiple machines in a sequence with DMX	21
3.6	Let's spark!	22
3.7	Clean up	23
4	Troubleshooting	24
5	Maintenance	24
6	Correct disposal	25
7	EC Declaration of Conformity	26

FOREWORD

Congratulations! You have bought a great new product from MAGIC FX.

This manual contains all information required for the intended use of the equipment. Deviation from the described intended use can result in a hazardous situation and/or property damage.

This manual includes notes and warnings on safe operation of the equipment. These notes and warnings are accompanied by the following icons. Read them attentively!

⚠ DANGER

Indicates a hazardous situation that, if not avoided, will result in death or serious injury. This signal word is to be limited to the most extreme situations.

⚠ WARNING

Indicates a hazardous situation that, if not avoided, could result in death or serious injury.

⚠ CAUTION

Indicates a hazardous situation that, if not avoided, could result in minor or moderate injury.

NOTICE

Indicates information considered important, but not hazard-related (e.g. messages relating to property damage).

LANGUAGE

This document contains the original instructions in English. In case you require other languages please contact MAGIC FX.

REVISION TABLE

Doc nr	Revision	Date	Description	Author	Approved
PART01213	01-00	8-1-2019	Initial release	TFR	TvA
PART01213	01-01	26-3-2019	Software update	TFR	TvA
PART01213	01-02	30-09-2020	Cover / Accessories	NvE	LL

1 MEET THE MAGICFX® SPARXTAR!

The MAGICFX® SPARXTAR is a special effects machine for controlled emission of sparks into the air.

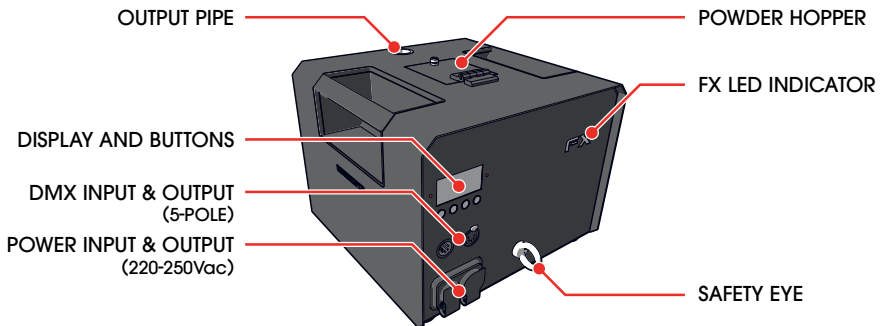
The machine transports MAGICFX® SPARXTAR Powder from the hopper through an internal heater and blows the resulting sparks upwards through the output pipe.

The maximum continuous duration of the effect is 40 seconds. After this period the effect will stop automatically. With a full hopper a MAGICFX® SPARXTAR can deliver sparks for a total duration of 9 up to 17 minutes (depending on the set effect height).

The MAGICFX® SPARXTAR is outfitted for operation:

- with DMX and RDM;
- in sequence with multiple machines.

1.1 MAIN PARTS



Main parts

1.2 SPARXTAR POWDER

The MAGICFX® SPARXTAR uses MAGICFX® SPARXTAR Powder to create the effect. Fill the powder hopper of the machine with powder (maximum of two bags).

NOTICE

The powder is packed in vacuum bags. Do not open the bags until right before use. This will prevent degradation and malfunctioning of the powder.

⚠ CAUTION

Do not fill the hopper with anything else than the prescribed powder. Use of any other powder or substance could lead to injuries and damage.

Code	Type of powder
MF5101	MAGICFX® SPARXTAR Powder

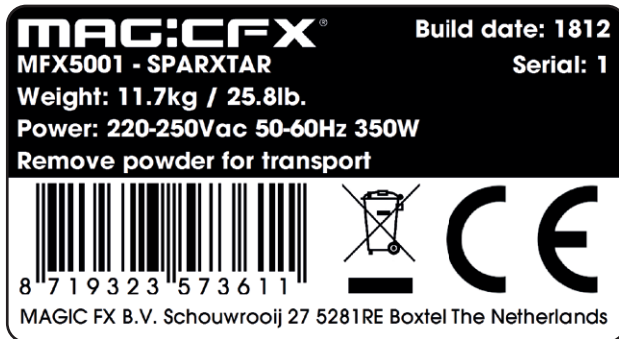
Type of powder

1.3 TECHNICAL DATA

Product	Product Name	MAGICFX® SPARXTAR	
	Product Code	MF5001	
	Product Type	SPARK FX	
Main Dimensions	Length (mm/in.)	300	11.8
	Width (mm/in.)	318	12.5
	Height (mm/in.)	243	9.6
Weight	Empty weight (kg/lb.)	11.7	25.8
Package	Length (mm/in.)	416	16.4
	Width (mm/in.)	416	16.4
	Height (mm/in.)	333	13.1
	Packaged weight (kg/lb.)	12.5	27.6
Environment	Minimum Temperature (°C/°F)	-10	14
	Maximum Temperature (°C/°F)	50	122
	Humidity (Relative)	20% to 90% (non condensing)	
Electrical	Voltage Input (Vac)	220-250Vac	
	Voltage Frequency	50-60Hz	
	Power Consumption (Vac)	350W	
	Power Connector (Vac)	Neutrik® powerCON TRUE1 (in&out)	
Controlling	Control Options	DMX	
	Control Protocols	DMX512-A (ANSI E1.11) RDM (ANSI E1.20)	
	Control Connectors	Neutrik® 5-pole male/ female XLR	
Configuring	Configure Options	On Device & RDM	
Usage	Consumable(s)	MAGICFX® SPARXTAR Powder	
	Consumable Consumption	< 20 g/min	

Technical data

1.4 PRODUCT IDENTIFICATION



Type plate

1.5 ACCESSORIES

Code	Product	Included
MF0305	MAGICFX® BASEPLATE II	
MF3103	Twenty Clamp (20kg) M10	
SP00119	Safety Steel	
MF5002	Powder Removal Funnel	
MF0313	SCUKO TO NEUTRIK®POWERCON TRUE1 - CABLE 1.5 m	

Accessories

Please contact MAGIC FX for additional possibilities.

1.6 DMX CONTROL

The MAGICFX® SPARXTAR is controlled with 1 safety address and 2 operational addresses:

DMX Address	Address range	Control
Safety address	1 - 512	Device enable/disable
Start address	1 - 511	Effect height
Start address + 1	2 - 512	Effect trigger

DMX addresses

The safety address cannot be the same as (one of) the operational address(es).
Operating of these addresses results in the following:

DMX Address	DMX Value (decimal)		Result
Safety address	0	99	Device disabled
	100	154	Device enabled
	155	255	Device disabled
Start address (Effect height)	0	255	Effect height (2 to 4.5 m)
Start address + 1 (Effect trigger)	0	63	No output
	64	127	Empty heater (only when previously set to 'no output' and after a delay of 10 seconds)
	128	255	Output effect at set height

Operation of the DMX addresses

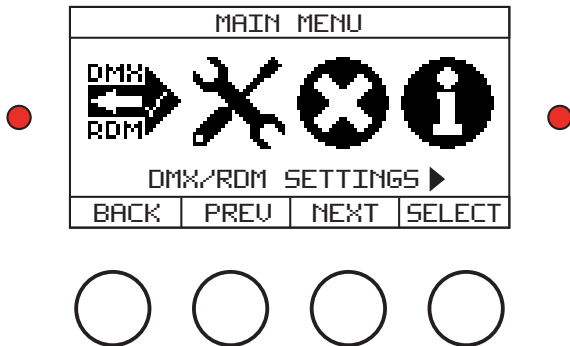
NOTICE

The maximum continuous duration of the effect is 40 seconds. After this period the effect will stop automatically. To start the effect again you must disable and re-enable the Effect trigger.

NOTICE

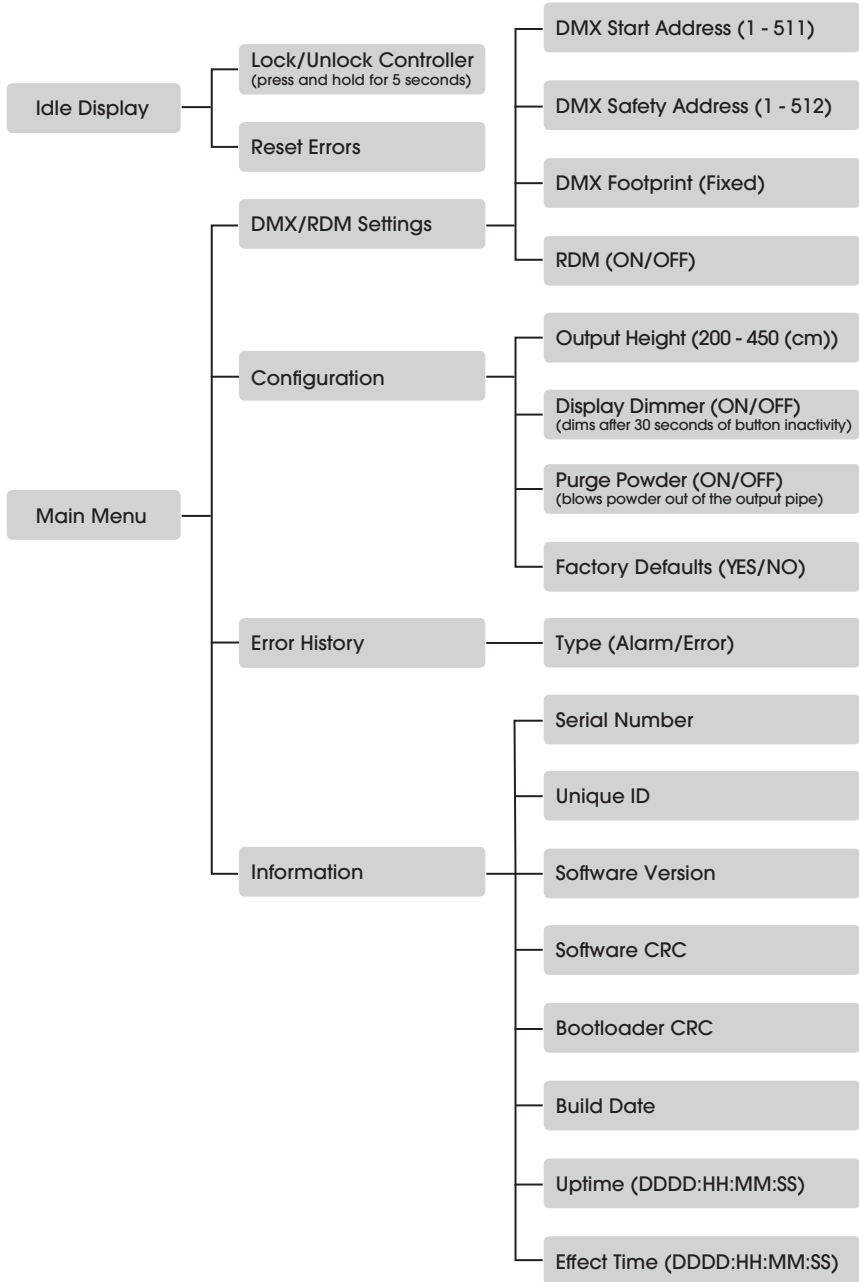
Always plug in a DMX Terminator into the DMX output of the final unit in the control sequence. Using a DMX Terminator improves signal reliability.

1.7 DISPLAY PANEL



Display panel

The display panel is located on the backside of the MAGICFX® SPARXTAR. Check the following menu structure for all options in the menu. Use the buttons for navigation and selection. The left-hand LED blinks red when DMX is active. The right-hand LED continuously lights red when an error is present.



Menu structure

1.8 RDM CAPABILITY

Remote Device Management Protocol (RDM) is an enhancement of the DMX512 communication protocol. RDM can be used for configuration and status monitoring while DMX512 takes care of the default controlling.

For RDM you will need a RDM compatible controller.

The following RDM parameters are supported by the MAGICFX® SPARXTAR.

Parameter ID	Discovery	GET	SET
DISC_UNIQUE_BRANCH	X		
DISC_MUTE	X		
DISC_UN_MUTE	X		
DEVICE_INFO		X	
SUPPORTED_PARAMETERS		X	
SOFTWARE_VERSION_LABEL		X	
DEVICE_MODEL_DESCRIPTION		X	
MANUFACTURER_LABEL		X	
SLOT_DESCRIPTION		X	
DMX_PERSONALITY_DESCRIPTION		X	
SENSOR_DEFINITION		X	
SENSOR_VALUE		X	
DMX_START_ADDRESS		X	X
IDENTIFY_DEVICE		X	X
DEVICE_LABEL		X	X
FACTORY_DEFAULTS		X	X
DMX_PERSONALITY		X	X
RESET_DEVICE			X

RDM parameters

RDM parameters are subject of change due to software updates. Contact MAGIC FX for the latest information and updates.

2 SPARK SAFELY!

The MAGICFX® SPARXTAR has been designed and constructed in such a manner that it can be used safely. This applies to the use, the circumstances and the regulations as described in this documentation. Reading this documentation and following the instructions are therefore necessary for everyone who is authorised to work with the MAGICFX® SPARXTAR.

The MAGICFX® SPARXTAR must be used in surroundings that:

- Have a reasonably stable temperature of between -10 and 50°C.
- Have a relative humidity degree between 20% and 90% (non condensing).
- Are free of dust, corrosive gases and high concentrations of organic vapours.
- Are not situated in the vicinity of a source of vibration.

2.1 GENERAL SAFETY RULES

- Only authorised persons may work with the MAGICFX® SPARXTAR.
- Do not use the MAGICFX® SPARXTAR if there are people or animals in the direct output.
- Make sure that children, unauthorised people and animals do not obtain access to the MAGICFX® SPARXTAR.
- Do not connect more units to a single electrical circuit than the installed fuse is able to handle. (Calculate the summed load with the electrical data from Chapter 1)
- Do not remove any safeguards, safety caps and safety symbols.
- All required safety devices must be in good condition and function properly.
- Ensure sufficient lighting of the surroundings.
- Keep the workplace clean.



2.2 RIGGING

Please follow the European and national guidelines for safe rigging and trussing.

2.3 NOISE LEVEL

The measured maximum noise levels of the product are 72 dB(A) at 1 m and 65 dB(A) at 5 m distance away. Please follow the European and national guidelines regarding hearing protection.

2.4 SAFETY SYMBOLS

Symbol	Meaning	Position
	Read the manual carefully before use!	Front of the machine
	Warning: Hot Surface! Do not touch.	Top of the machine, near the output pipe.

Safety symbols

2.5 SAFETY WARNINGS



Eye contact with flying sparks and hot particles from the machine can lead to serious eye injury. Always wear safety goggles when you enter the safety zone.



Always follow the safety instructions from the powder packaging when handling and working with the powder. Consult the MSDS from our website for detailed safety instructions.



Make sure there are no objects near the machine and within the output distance that can be damaged or catch fire by the emitted powder and sparks from the MAGICFX® SPARXTAR.



Make sure there are no substances or gasses present that can be ignited by the emitted powder and sparks from the MAGICFX® SPARXTAR.



Using a damaged or an improper installed machine can lead to death, serious injury or property damage. Always inspect the machine thoroughly before operation.



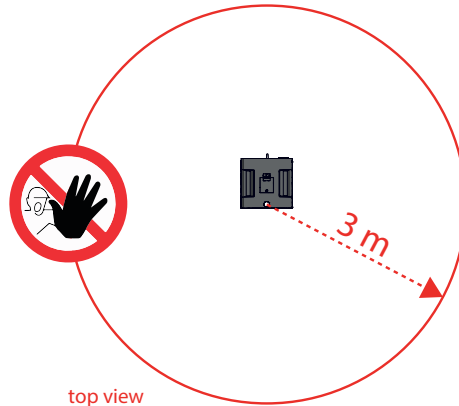
Stop operating the machine immediately when the emitted particles catch fire or remain glowing. Extinguish any burning or glowing particles with sand or foam. Consult the MSDS from our website for detailed safety instructions.

⚠ WARNING

Always create a safety zone with a distance of 3 m around the effect of the MAGICFX® SPARXTAR. Furthermore, keep a clearance of 2 m from the set effect height.

Note that the zone shifts accordingly when the machine is installed in a tilted position.

Note that overlap of safety zones in a setup with multiple machines is allowed, as long the air inlets are not obstructed.



⚠ WARNING

Missing or obscured safety symbols on the machine can lead to death or serious injury. Make sure all safety symbols are correctly in place, see section 2.4.

⚠ CAUTION

The output pipe heats up during operation and causes burns when touched. Do not touch the output pipe of a (recently) powered machine.

⚠ CAUTION

Any material that blocks the output pipe can result in injuries, fire and damage to the machine when the machine is used. Always inspect the output pipe before operating and remove any obstructing material.

⚠ CAUTION

Only open the hopper lid when the machine is not powered.

⚠ CAUTION

Do not obscure the air inlets on the side of the machine. Obscured air inlets can result in injuries, fire and damage to the machine when the machine is used.

NOTICE

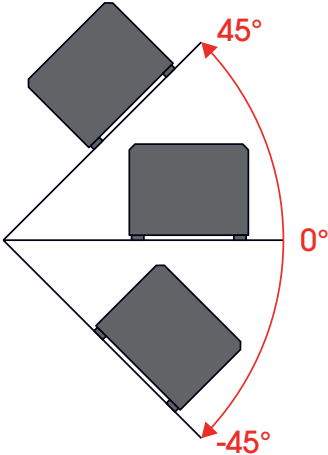
Always keep the machine dry and do not let any liquids such as rain or snow wet the machine.

3 LET'S SPARK!

NOTICE

The MAGICFX® SPARXTAR will also remain functioning correctly when angled sideways at a maximum of 45° or -45°. However the greater the angle becomes, the more powder will remain unused in the hopper. Therefore level installation is preferred.

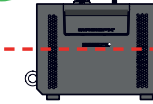
front view



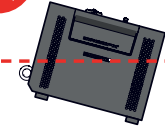
side view



$\Delta = 0^\circ$



$\Delta \neq 0^\circ$



3.1 INSTALL THE MACHINE

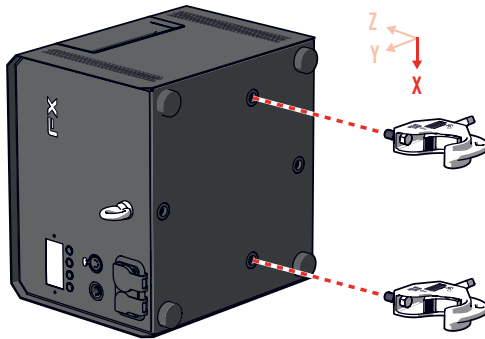
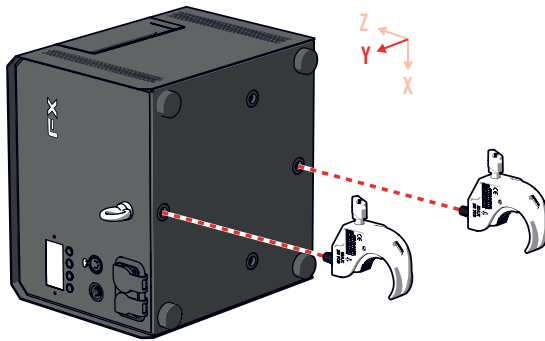
- 1 Install the MAGICFX® SPARXTAR on a firm and preferably level surface.
- 2 Inspect the machine and remove any foreign objects and material that will block or obscure the output pipe or the air inlets of the machine during operation.
- 3 Take the necessary safety precautions, including:
 - a) Creating a safety zone with a distance of 3 m around the effect of the MAGICFX® SPARXTAR and a clearance of 2 m from the set effect height.
 - b) Making sure that the direct output will be free from persons and animals.
 - c) Making sure there are no objects near the machine and within the output distance that can be damaged or catch fire by the emitted powder and sparks from the MAGICFX® SPARXTAR.

3.2 MOUNT ON A TRUSS

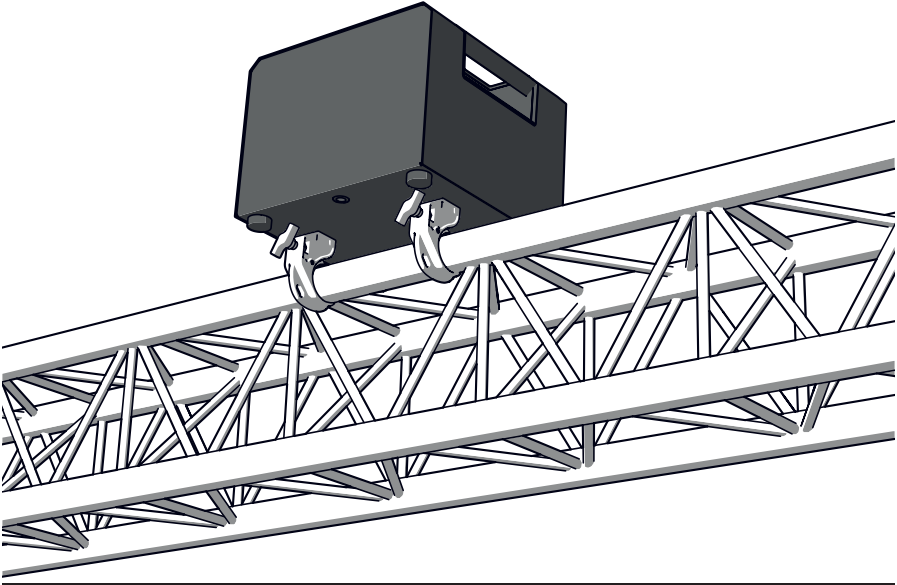
NOTICE

Use a MAGICFX® BASEPLATE II for mounting on top of an upright truss, see the User and Installation manual of the MAGICFX® BASEPLATE II (PART01575).

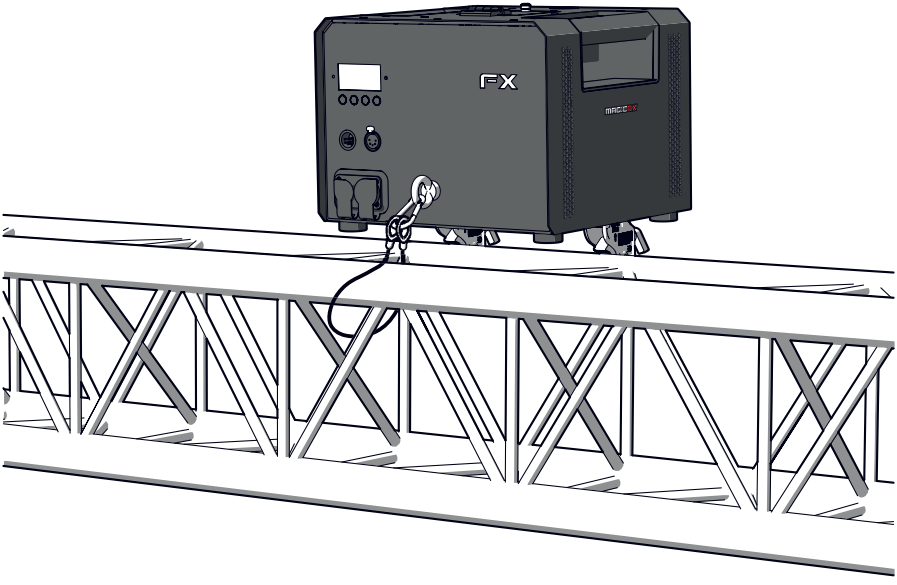
- 1 Screw two clamps into threaded holes on the bottom of the machine. Use two M10 twenty clamps for truss mounting (product code MFX3103) and place the pair in x or in y direction.



-
- 2 Mount the clamps firmly on a truss.



- 3 Secure the MAGICFX® SPARXTAR onto the truss.



4 Inspect if the MAGICFX® SPARXTAR is mounted firmly and secured correctly.

5 Inspect the machine and remove any foreign objects and material that will block or obscure the output pipe or the air inlets of the machine during operation.

6 Take the necessary safety precautions, including:

- a) Creating a safety zone with a distance of 3 m around the effect of the MAGICFX® SPARXTAR and a clearance of 2 m from the set effect height.
 - b) Making sure that the direct output will be free from persons and animals.
 - c) Making sure there are no objects near the machine and within the output distance that can be damaged or catch fire by the emitted powder and sparks from the MAGICFX® SPARXTAR.
-

3.3 (RE)FILL THE HOPPER

⚠ WARNING

Always make sure that the safety address is not activated (FX LED indicator on the machine is dimmed) when you approach a machine.

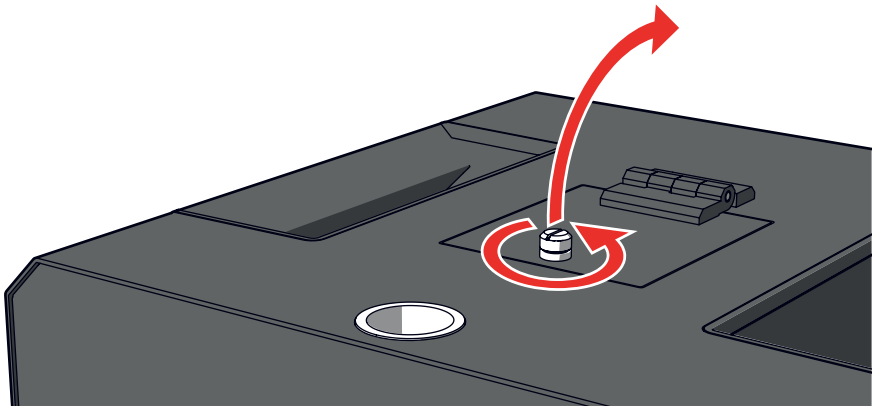
⚠ WARNING

Eye contact with flying sparks and hot particles from the machine can lead to serious eye injury. Always wear eye protection when you come near a powered machine.

⚠ CAUTION

The output pipe heats up during operation and causes burns when touched. Do not touch the output pipe of an installed or recently operated machine.

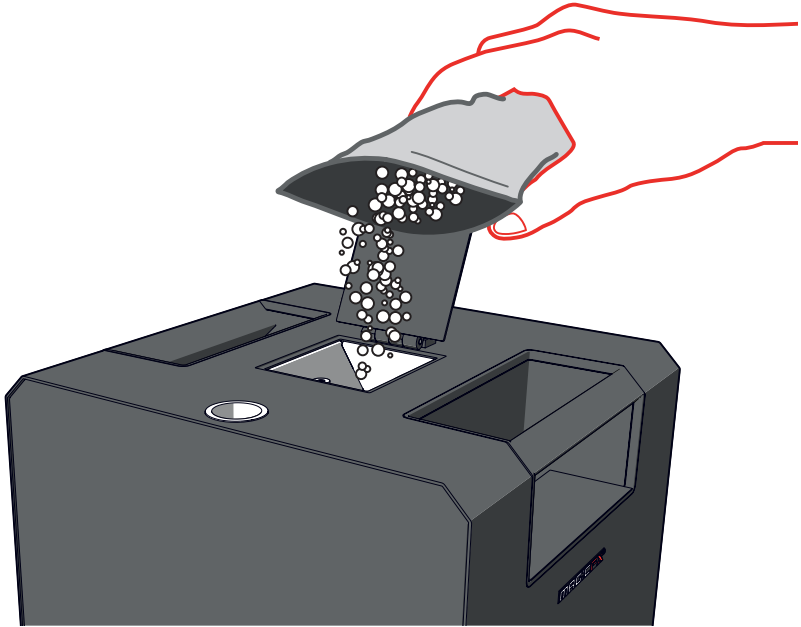
- 1 Disconnect the machine from the power supply.
 - 2 Unlock and open the lid of the hopper.
-



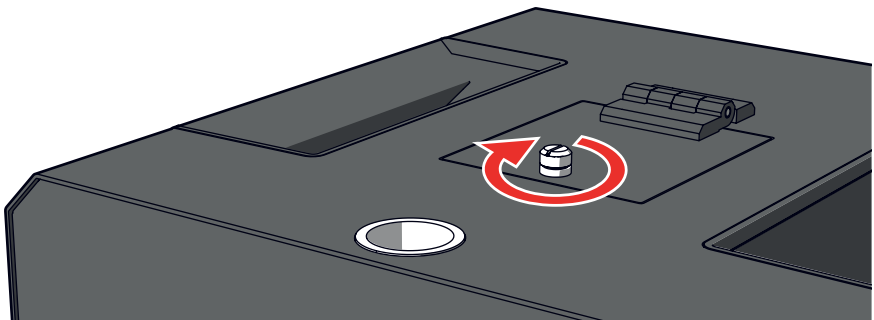
NOTICE

Make sure that the hopper interior is dry and free from foreign material at all times. Do not use the machine when the hopper interior is wet. Remove any moist and/or clumped powder. Remove any foreign material.

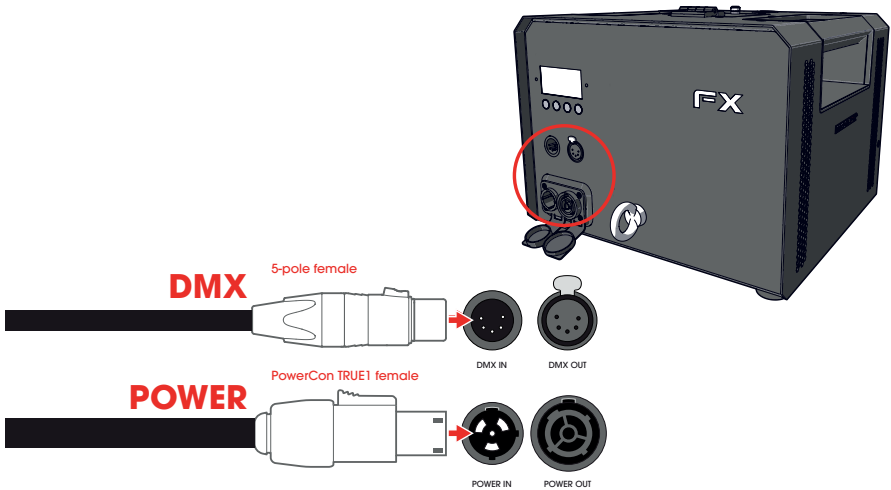
-
- 3 Open the powder bag(s) and fill the hopper with powder (maximum of two bags).



-
- 4 Close and lock the lid of the hopper.



3.4 CONNECT POWER AND SETUP DMX

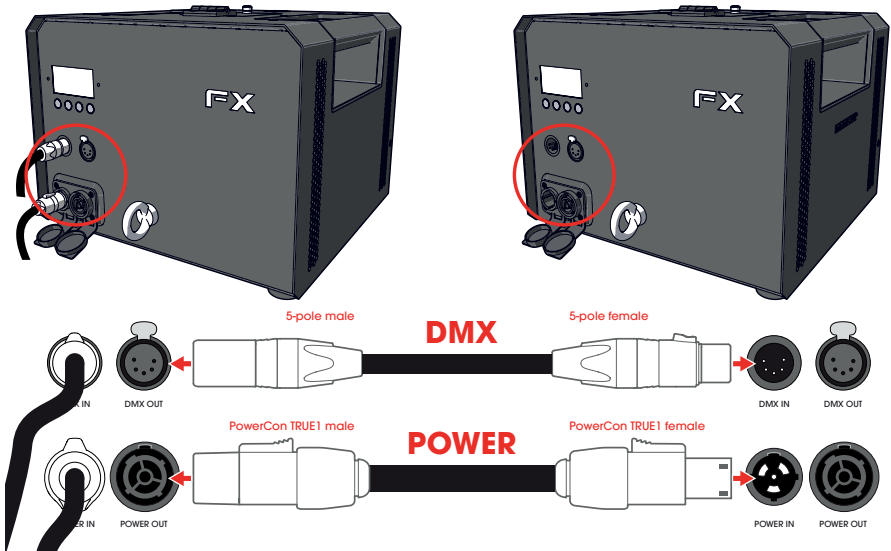


1. Connect a power cable with a PowerCon TRUE1 female connector to the power input.
2. Connect the other end of the power cable to a 220-250Vac (50-60Hz) power source. The machine starts heating and the fan starts blowing.
3. Connect the female connector of a 5-pole DMX cable in the DMX input.
4. Connect the other end of the DMX cable to your DMX controller.
5. Use the display and buttons or a RDM controller to assign DMX addresses, see Chapter 1.
6. Optionally see Section 3.5 for adding more machines to the same sequence.

NOTICE

Always plug in a DMX Terminator into the DMX output. Using a DMX Terminator improves signal reliability.

3.5 SETUP MULTIPLE MACHINES IN A SEQUENCE WITH DMX



1. Connect a power link cable to the power output.
2. Connect the other end to the power input of the next machine.
3. Connect a DMX cable to the DMX output.
4. Connect the other end to the DMX input of the next machine.
5. Use the buttons or a RDM controller to assign DMX addresses, see Chapter 1.
6. Repeat step 1 to 5 for each subsequent machine.

NOTICE

Always plug in a DMX Terminator into the DMX output of the final unit in the control sequence. Using a DMX Terminator improves signal reliability.

⚠ CAUTION

Do not connect more units to a single electrical circuit than the installed fuse is able to handle. (Calculate the summed load with the electrical data from Chapter 1)

3.6 LET'S SPARK!

NOTICE

The machine starts heating automatically when connected to a power source. The heating cycle takes approximately 25 minutes. The heating process is visualised on the display with a progress bar.

NOTICE

Wind can influence the effect and cause sparks to blow away.

1. Power the machine.

NOTICE

Directly after powering the machine the device will check automatically if the output and air inlet are blocked.

2. Change the **Output height** (200-450 cm) in the configuration menu if desired, see Section 1.7. The effect will not exceed the set height.
3. Wait until the device is heated up and ready.
4. Set the DMX value for **Effect height** to the desired initial height of the output, see Section 1.6.
5. Make sure that the prescribed safety zone is clear.
6. Activate the DMX safety address. Directly after activating the device will check automatically in a few seconds if the output and air inlet are blocked. The FX LED indicator on the machine lights up.
7. When it's time to spark, set the DMX value for **Effect trigger** between 128 and 255.
8. Vary the effect height during the effect duration, if desired.
9. Enjoy the view!
10. Set the DMX value for **Effect trigger** between 0 and 63 if you want to stop sparking.



NOTICE

During a short interval after the effect has stopped, you can create a flash effect by quickly activating and deactivating the **Effect trigger**.

NOTICE

The maximum continuous duration of the effect is 40 seconds. After this period the effect will stop automatically. To start the effect again you must disable and re-enable the **Effect trigger**.

3.7 CLEAN UP

1. When finished, set the DMX value for **Effect trigger** between 0 and 63 to turn off the effect.

NOTICE

During the particle removal by DMX, sparks could be visible that leave the machine.

NOTICE

When particle removal by DMX is not possible, the remaining particles can be removed by the feature **Purge powder** from the display menu, see Section 1.7 on page 8. This feature can only be activated when the machine is cooled down. Note that particles could leave the machine during purging.

NOTICE

Not removing the remaining particles after use can shorten the machine's lifetime.

2. Make sure the remaining particles will be removed from the heater by setting the DMX value for **Effect trigger** between 64 and 127. The heater purge will start after a delay of 10 seconds. The purge itself takes 10 seconds and will stop automatically.
3. When all particles are removed, set the DMX value for **Effect trigger** between 0 and 63 to stop.
4. Deactivate the safety address. The FX LED indicator on the machine dims.
5. Disconnect the machine from the power source. The machine stops heating.
6. Make sure that the machine has cooled down.
7. Disconnect all DMX and power cable(s).
8. Remove any powder residues from the machine and surroundings.

NOTICE

To prevent scratching, clean the machine in the following order:
a. Slightly purging air
b. Using a vacuum cleaner
c. Using a towel

9. Unmount the machine if necessary.
10. Open the lid of the hopper.
11. Lift the machine to one side to empty the hopper.

NOTICE

Optionally use a Powder Removal Funnel for emptying of the hopper, see Section 1.5 on page 7.

NOTICE

Pay special attention to residues and dust inside the hopper. Clean the hopper interior and lid thoroughly (e.g. with a small brush).

⚠ WARNING

Consult the MSDS from our website for detailed safety instructions for handling and working with the powder.

4 TROUBLESHOOTING

In case the display shows one of the following error or alarm codes, act accordingly.

Code	Description	What to do
007	Fan is not running at the expected speed	Fan or inlet possibly blocked. Inspect the output pipe and air inlet and remove any foreign objects and material that will block or obscure the output pipe during operation.
120	Temperature safety	Temperature reached its maximum allowed temperature. Let the effect inactive for a minute.
121	Orientation of device out of safe bounds	Keep the device within previously described safe bounds.

Always contact MAGIC FX if any malfunctions or errors occur that cannot be solved with the instructions as described in this manual.

5 MAINTENANCE

To achieve the maximum service life of the MAGICFX® SPARXTAR you must regularly clean the MAGICFX® SPARXTAR and test if it is functioning correctly.

Contact MAGIC FX if the MAGICFX® SPARXTAR is not functioning correctly.

⚠ DANGER

Do not replace parts yourself; always consult MAGIC FX if necessary.

6 CORRECT DISPOSAL



This symbol on the product and / or accompanying documents means that used electrical and electronic products should not be mixed with general household waste. For proper treatment, recovery and recycling, please take this product to designated collection points where it will be accepted free of charge.

Alternatively, in some countries you may be able to return your products to your local retailer upon purchase of an equivalent new product.

Disposing of this product correctly will help save valuable resources and prevent any potential negative effects on human health and the environment, which could otherwise arise from inappropriate waste handling.

Please contact your local authority for further details of your nearest designated collection point.

Penalties may be applicable for incorrect disposal of this waste, in accordance with your national legislation.

7 EC DECLARATION OF CONFORMITY

According to Annex III A Machinery Directive 2006/42/EC

MAGIC FX B.V. declares as manufacturer and composer of the technical construction file that the product with the following specifications:

Name machine : SPARXTAR®
Type : MFX5001
Voltage : 220-250Vac 50/60Hz
Serial number : on product
Year of construction : on product

Is in conformity with the minimal safety regulations as stated in the following directive(s):

- LVD (2014/35/EU) Low Voltage Directive
- EMC (2014/30/EC) ElectroMagnetic Compatibility
- RoHS (2011/65/EU) Restriction of the use of certain Hazardous Substances
- WEEE (2012/19/EU) Waste Electrical & Electronic Equipment


The following harmonized standards were applied:

- NEN-EN-ISO 12100:2010 Safety of machinery - General principles for design - Risk assessment and risk reduction.
- NEN-EN-ISO 13732-1:2008 Ergonomics of the thermal environment – Methods for the assessment of human responses to contact with surfaces – Part 1: Hot surfaces.
- NEN-EN-IEC 60204-1:2006, Safety of machinery - Electrical equipment of machines - Part 1: General requirements.
- NEN-EN-IEC 61000-6-3:2007/A1:2011, Electromagnetic compatibility (EMC) - Part 6-3: Generic standards - Emission standard for residential, commercial and light-industrial environments.

- Original declaration of conformity
 Translation of the original declaration of conformity

Name manufacturer : MAGIC FX B.V.
Address : Schouwrooij 27, 5281 RE BOXTEL
Country : The Netherlands

CEO : B. Veroude
Date : 17-12-2018

Signature : 

MAG:CFX[®]

WWW.MAGICFX.EU

